



Alain Ellouz
.paris



ALIX 14 & 17^{US}

.édition

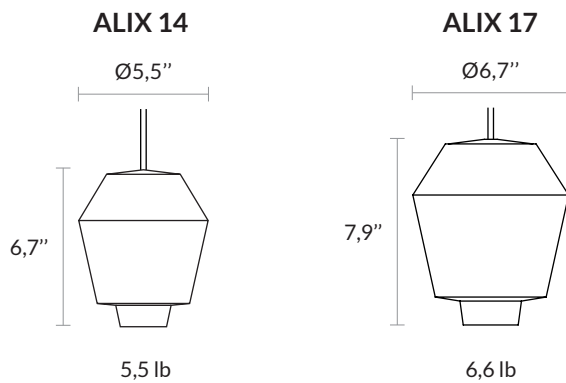


Alain Ellouz
.paris

ALIX 14 & 17 ^{US}

.édition

PENDANT LIGHT



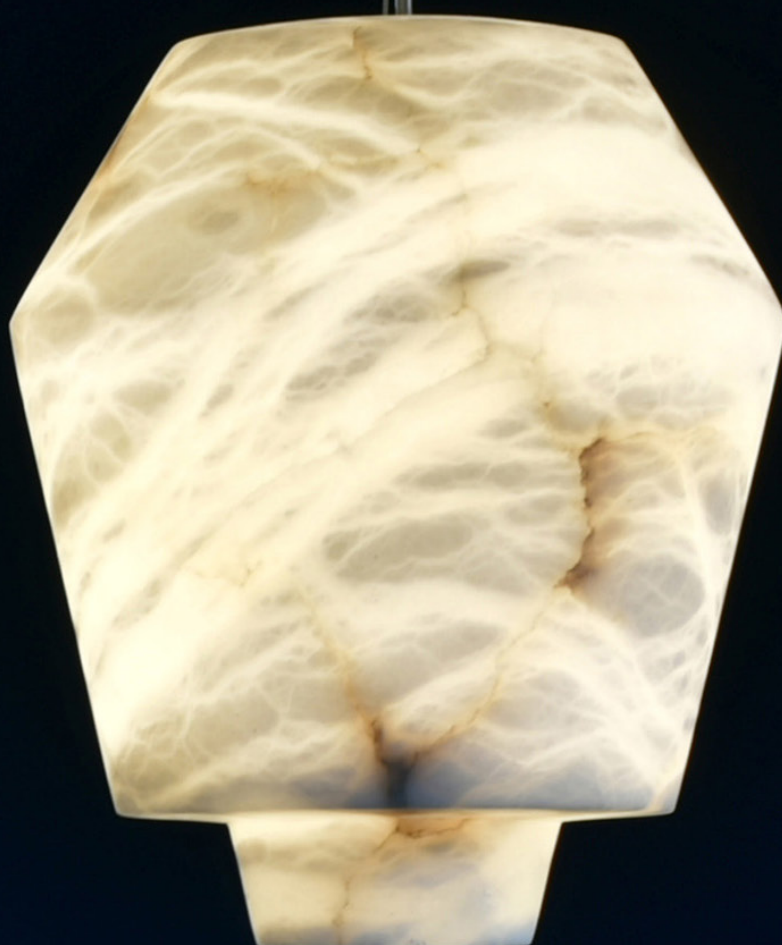
ALIX[®]
DESIGN BY ATELIER ALAIN ELLOUZ
MADE IN FRANCE

MATERIALS	Alabaster
ACCESSORIES	Black canopy Ø5" 78" of black textile cable
SOCKET	E12 Recommended bulb : LED bulb E12 4,5W 2700K 400lm - Dimmable
REFERENCE	ALIX 14 : ED-0050 ALIX 17 : ED-0018 UL certified (also available in European version)
WARRANTY	2 years warranty





Alain Ellouz
.paris

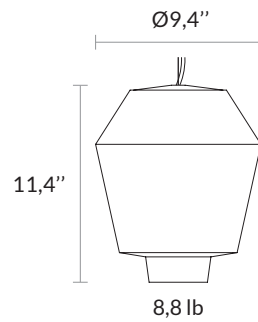


ALIX 24^{US}

.édition

ALIX 24^{US} .édition

PENDANT LIGHT



ALIX[®]
DESIGN BY ATELIER ALAIN ELLOUZ
MADE IN FRANCE

MATERIALS	Alabaster
ACCESSORIES	Mat white canopy $\text{Ø}5,1''$ 78'' stainless steel wire rope with transparent electric cable
SOCKET	E12 Recommended bulb : LED bulb E12 9W 2700K 800lm - Dimmable
REFERENCE	ED-0056 UL certified (also available in European version)
WARRANTY	2 years warranty